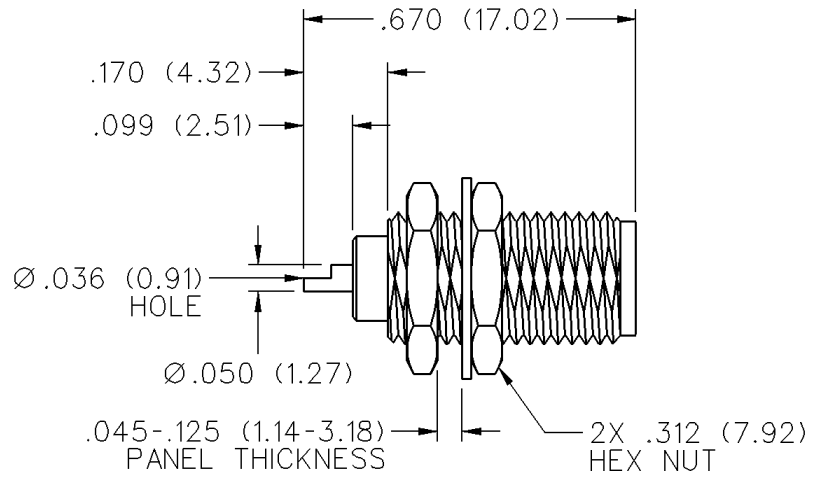
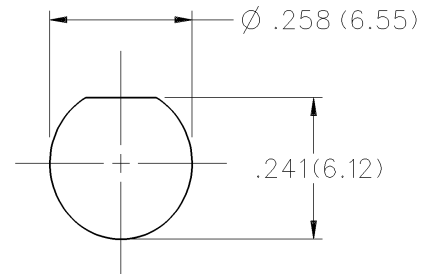


50 Ohm SMA Front Mount Bulkhead Jack Receptacle



| VSWR & FREQ. RANGE | GOLD PLATED | NICKEL PLATED |
|--------------------|--------------|---------------|
| VSWR: N/A 0-18 GHz | 142-0701-411 | 142-0701-416 |

Mounting hole layout



SMA - 50 Ohm Connectors

Specifications



ELECTRICAL RATINGS

Impedance: 50 ohms

Frequency Range:

| | |
|---|------------|
| Dummy loads | 0-2 GHz |
| Flexible cable connectors | 0-12.4 GHz |
| Uncabled receptacles, RA semi-rigid and adapters | 0-18.0 GHz |
| Straight semi-rigid cable connectors and field replaceable connectors | 0-26.5 GHz |

VSWR: (f = GHz)

| | Straight Cabled Connectors | Right Angle Cabled Connectors |
|-------------------------------------|-------------------------------|----------------------------------|
| RG-178 cable | 1.20 + .025f | 1.20 + .03f |
| RG-316, LMR-100 cable | 1.15 + .02f | 1.15 + .03f |
| RG-58, LMR-195 cable | 1.15 + .01f | 1.15 + .02f |
| RG-142 cable | 1.15 + .01f | 1.15 + .02f |
| LMR-200, LMR-240 cable | 1.10 + .03f | 1.10 + .06f |
| .086 semi-rigid | 1.07 + .008f | 1.18 + .015f |
| .141 semi-rigid (w/contact) | 1.05 + .008f | 1.15 + .015f |
| .141 semi-rigid (w/o contact) | 1.035 + .005f | |

Jack-bulkhead jack adapter and plug-plug adapter 1.05 + .01f

Jack-jack adapter and plug-jack adapter 1.05 + .005f

Uncabled receptacles, dummy loads N/A

Field replaceable (see page 59) N/A

Working Voltage: (Vrms maximum)†

| Connectors for Cable Type | Sea Level | 70K Feet |
|--|-----------|----------|
| RG-178 | 170 | 45 |
| RG-316; LMR-100, 195, 200 | 250 | 65 |
| RG-58, RG-142, LMR-240, .086 semi-rigid, uncabled receptacles, .141 semi-rigid w/o contact ... | 335 | 85 |
| .141 semi-rigid with contact and adapters | 500 | 125 |
| Dummy loads | N/A | N/A |

Dielectric Withstanding Voltage: (VRMS minimum at sea level)†

| | |
|---|------|
| Connectors for RG-178 | 500 |
| Connectors for RG-316; LMR-100, 195, 200 | 750 |
| Connectors for RG-58, RG-142, LMR-240, .086 semi-rigid, field replaceable, uncabled receptacles | 1000 |
| Connectors for .141 semi-rigid with contact and adapters | 1500 |
| Connectors for .141 semi-rigid w/o contact, dummy loads | N/A |

Corona Level: (Volts minimum at 70,000 feet)†

| | |
|---|-----|
| Connectors for RG-178 | 125 |
| Connectors for RG-316; LMR-100, 195, 200 | 190 |
| Connectors for RG-58, RG-142, LMR-240, .086 semi-rigid, uncabled receptacles, .141 semi-rigid w/o contact | 250 |
| Connectors for .141 semi-rigid with contact and adapters | 375 |
| Dummy loads | N/A |

Insertion Loss: (dB maximum)

| | | |
|--|------|------------------------------------|
| Straight flexible cable connectors and adapters | 0.06 | \sqrt{f} (GHz), tested at 6 GHz |
| Right angle flexible cable connectors | 0.15 | \sqrt{f} (GHz), tested at 6 GHz |
| Straight semi-rigid cable connectors with contact | 0.03 | \sqrt{f} (GHz), tested at 10 GHz |
| Right angle semi-rigid cable connectors | 0.05 | \sqrt{f} (GHz), tested at 10 GHz |
| Straight semi-rigid cable connectors w/o contact | 0.03 | \sqrt{f} (GHz), tested at 16 GHz |
| Straight low loss flexible cable connectors | 0.06 | \sqrt{f} (GHz), tested at 1 GHz |
| Right Angle low loss flexible cable connectors | 0.15 | \sqrt{f} (GHz), tested at 1 GHz |
| Uncabled receptacles, field replaceable, dummy loads | | N/A |

Insulation Resistance: 5000 megohms minimum

Contact Resistance: (milliohms maximum) Initial After Environmental

| | | |
|--|------|------|
| Center contact (straight cabled connectors and uncabled receptacles) | 3.0* | 4.0* |
| Center contact (right angle cabled connectors and adapters) | 4.0 | 6.0 |
| Field replaceable connectors | 6.0 | 8.0 |
| Outer contact (all connectors) | 2.0 | N/A |
| Braid to body (gold plated connectors) | 0.5 | N/A |
| Braid to body (nickel plated connectors) | 5.0 | N/A |

*N/A where the cable center conductor is used as a contact

RF Leakage: (dB minimum, tested at 2.5 GHz)

| | |
|---|--------|
| Flexible cable connectors, adapters and .141 semi-rigid connectors w/o contact | -60 dB |
| Field replaceable w/o EMI gasket | -70 dB |
| .086 semi-rigid connectors and .141 semi-rigid connectors with contact, and field replaceable with EMI Gasket | -90 dB |
| Two-way adapters | -90 dB |
| Uncabled receptacles, dummy loads | N/A |

RF High Potential Withstanding Voltage: (Vrms minimum, tested at 4 and 7 MHz)†

| | |
|---|------|
| Connectors for RG-178 | 335 |
| Connectors for RG-316; LMR-100, 195, 200 | 500 |
| Connectors for RG-58, RG-142, LMR-240, .086 semi-rigid, .141 semi-rigid cable w/o contact, uncabled receptacles | 670 |
| Connectors for .141 semi-rigid with contact and adapters | 1000 |

Power Rating (Dummy Load): 0.5 watt @ + 25°C, derated to 0.25 watt @ +125°C

MECHANICAL RATINGS

Engagement Design: MIL-C-39012, Series SMA

Engagement/Disengagement Force: 2 inch-pounds maximum

Mating Torque: 7 to 10 inch-pounds

Bulkhead Mounting Nut Torque: 15 inch-pounds

Coupling Proof Torque: 15 inch-pounds minimum

Coupling Nut Retention: 60 pounds minimum

Contact Retention:

6 lbs. minimum axial force (captivated contacts)

4 inch-ounce minimum torque (uncabled receptacles)

Cable Retention:

| | Axial Force*(lbs) | Torque (in-oz) |
|--------------------------------------|-------------------|----------------|
| Connectors for RG-178 | 10 | N/A |
| Connectors for RG-316, LMR-100 | 20 | N/A |
| Connectors for LMR-195, 200 | 30 | N/A |
| Connectors for RG-58, LMR-240 | 40 | N/A |
| Connectors for RG-142 | 45 | N/A |
| Connectors for .086 semi-rigid | 30 | 16 |
| Connectors for .141 semi-rigid | 60 | 55 |

*Or cable breaking strength whichever is less.

Durability: 500 cycles minimum

100 cycles minimum for .141 semi-rigid connectors w/o contact

ENVIRONMENTAL RATINGS (Meets or exceeds the applicable paragraph of MIL-C-39012)

Temperature Range: - 65°C to + 165°C

Thermal Shock: MIL-STD-202, Method 107, Condition B

Corrosion: MIL-STD-202, Method 101, Condition B

Shock: MIL-STD-202, Method 213, Condition I

Vibration: MIL-STD-202, Method 204, Condition D

Moisture Resistance: MIL-STD-202, Method 106

†Avoid user injury due to misapplication. See safety advisory definitions inside front cover.

SMA - 50 Ohm Connectors

Specifications

MATERIAL SPECIFICATIONS

Bodies: Brass per QQ-B-626, gold plated* per MIL-G-45204 .00001" min. or nickel plated per QQ-N-290

Contacts: Male - brass per QQ-B-626, gold plated per MIL-G-45204 .00003" min.

Female - beryllium copper per QQ-C-530, gold plated per MIL-G-45204 .00003" min.

Nut Retention Spring: Beryllium copper per QQ-C-533. Unplated

Insulators: PTFE fluorocarbon per ASTM D 1710 and ASTM D 1457 or Tefzel per ASTM D 3159 or PFA 340 per ASTM

Expansion Caps: Brass per QQ-B-613, gold plated per MIL-G-45204 .00001" min. or nickel plated per QQ-N-290

Crimp Sleeves: Copper per WW-T-799 or brass per QQ-B-613, gold plated per MIL-G-45204 .00001" min. or nickel plated per QQ-N-290

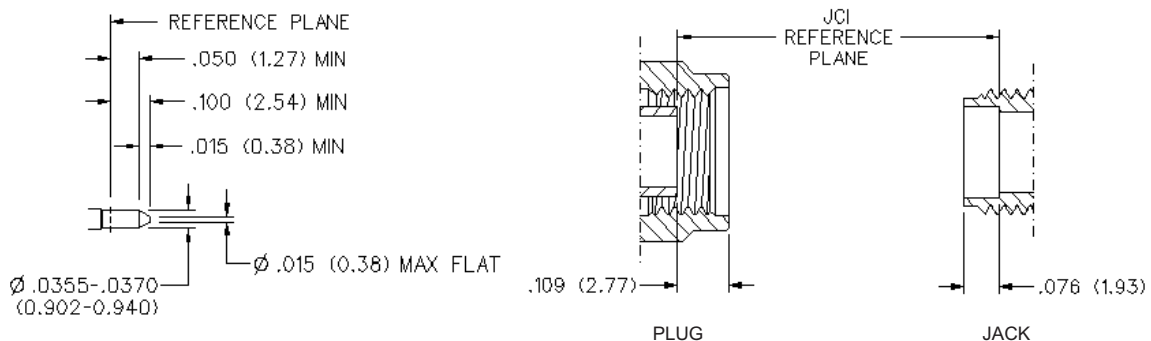
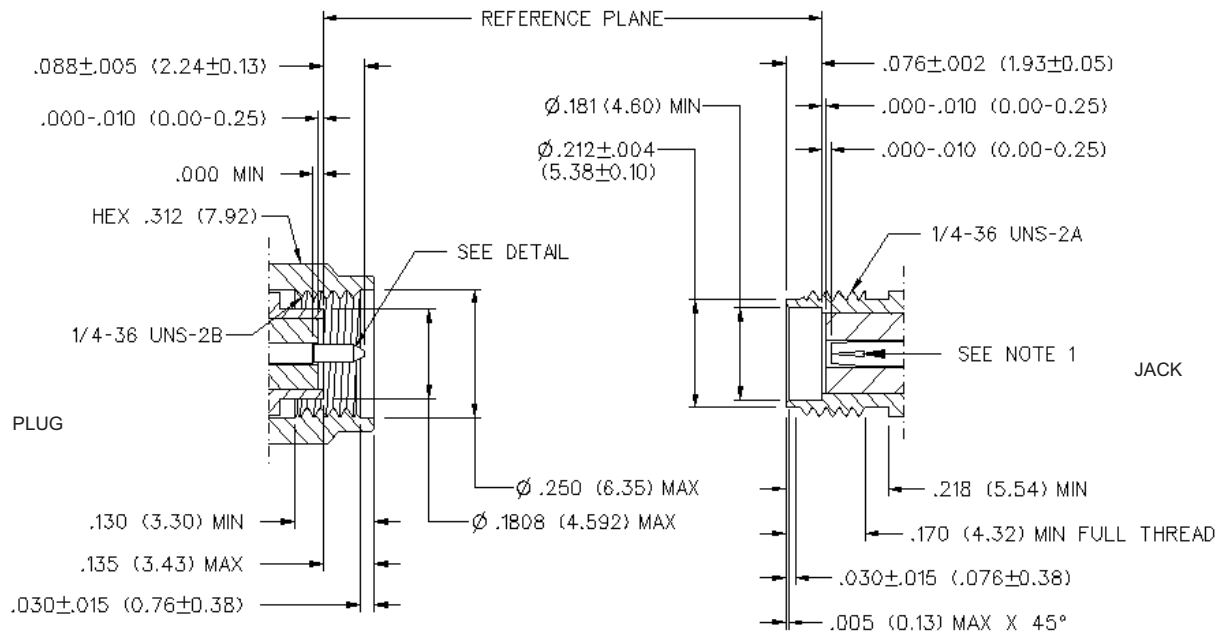
Mounting Hardware: Brass per QQ-B-626 or QQ-B-613, gold plated per MIL-G-45204 .00001" min. or nickel plated per QQ-N-290

Seal Rings: Silicone rubber per ZZ-R-765

EMI Gaskets: Conductive silicone rubber per MIL-G-83528, Type M

* All gold plated parts include a .00005" min. nickel underplate barrier layer.

Mating Engagement for SMA Series per MIL-C-39012



NOTES

1. ID OF CONTACT TO MEET VSWR, CONTACT RESISTANCE AND INSERTION WITHDRAWAL FORCES WHEN MATED WITH DIA .0355-.0370 MALE PIN.